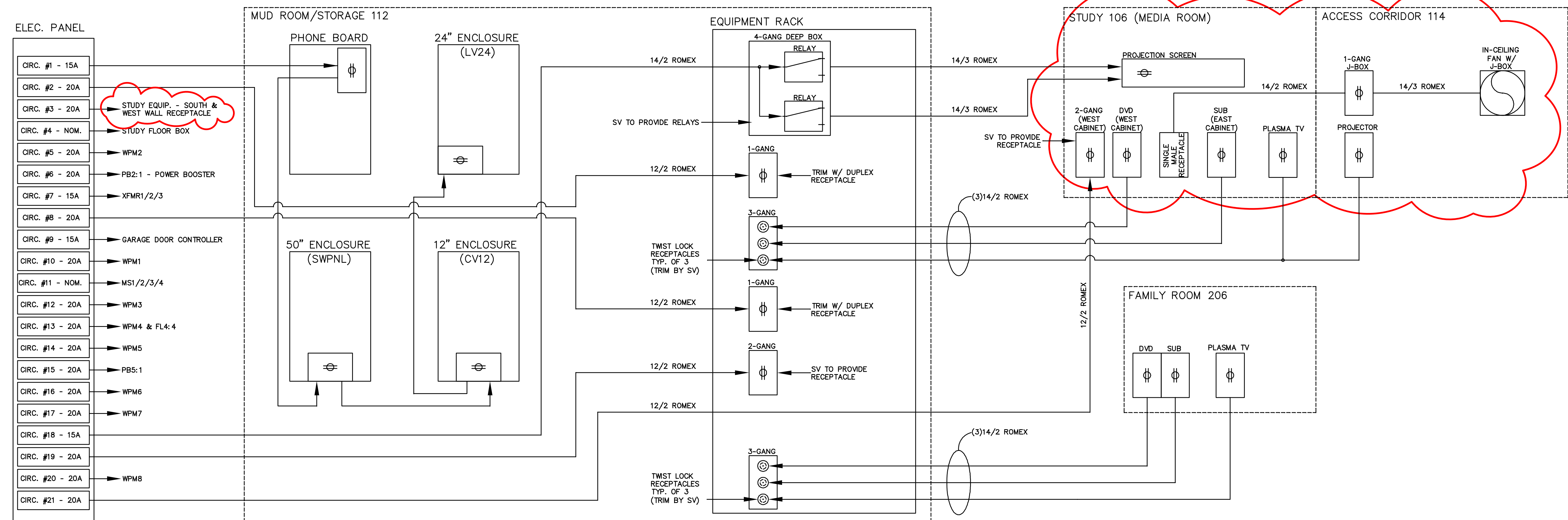


- NOTES:
 1. E.C. SHALL PROVIDE ALL ROMEX, ELEC. BOXES & STANDARD RECEPTACLES.
 2. SOUNDVISION SHALL PROVIDE RELAY, 3-GANG FACE PLATES, & TWIST LOCK RECEPTACLES.
 3. PLACE CIRCUITS 2/8/19/21 ON SAME PHASE.



1 POWER REQUIREMENTS LINE DIAGRAM

LIGHTING CONTROL SYSTEM & AUDIO/VIDEO SYSTEM POWER REQUIREMENTS

✓	Floor/Room	Location	Equipment	Description	Circuit #	Circuit Size	Wire From	Termination Type	Notes	
	Ground Floor Plan									
	Study 106									
	West Wall - Ceiling Cove	Projection Screen	Projection Screen Power	1	15 AMP	In-Wall Extension	Rough-in to screen enclosure (South End)	Wire With Two (2) 14/3 Romex. See Detail		
	West Wall - Above Fireplace	Plasma TV	Dedicated A/V Power	2	20 AMP	Video Projector	Recessed Clock Outlet			
	West Wall - Base Board	Local Equipment	Dedicated A/V Power	3	20 AMP	E.P.	Duplex Receptacle			
	South Wall - West End	Local Equipment	Dedicated A/V Power	3	20 AMP	West Wall	Duplex Receptacle	Link With West Wall Receptacle		
	South Wall - West End	DVD Player	Dedicated A/V Power	2	20 AMP	In-Wall Extension	Duplex Receptacle	West Cabinet		
	South Wall - West End	Krell Amplifier	Dedicated A/V Power	21	20 AMP	E.P.	Relay Triggered Quad receptacle by SV	West Cabinet		
	South Wall - West End	Digital Thermostat	Exhaust Fan Control	2a	Nominal	In-Wall Extension	Recessed Male Single Receptacle	See EL3.1 for Detail		
	South Wall - East End	Subwoofer	Dedicated A/V Power	2	20 AMP	DVD - West	Duplex Receptacle	East Cabinet		
	East Side - Under Desk	Computer Equipment	Standard Power	4	Nominal	E.P.	Recessed Floor Box	Floor Box: Wiremold RFB2		
	Laundry Room 109									
	South Wall - Behind Door	WPM2	Wallbox Power Module	5	20 AMP	E.P.	Rough-in to 4 Gang, 3-1/2" Deep Box			
	South Wall - Behind Door	PB2-1	Power-Booster	6	20 AMP	E.P.	Rough-in to 2 Gang, 3-1/2" Deep Box	See Detail-2, EL1.0 for wiring		
	Mud Room 112									
	West Wall Adj. to Racks	LV24	24" Low-Voltage Enclosure	1	15 AMP	E.P.	Wire to Receptacle at Lower Left			
	West Wall Adj. to Racks	CV12.1	12" Low-Voltage Enclosure	1	15 AMP	LV24	Wire to Receptacle in Bottom			
	West Wall Adj. to Racks	SWPNL	50" Low-Voltage Enclosure	1	15 AMP	CV12.1	Wire to Receptacle in Bottom			
	West Wall Adj. to Racks	Phone Board	Phone System Power	1	15 AMP	SWPNL	Rough-in to 1 Gang Box (Upper)			
	West Wall Adj. to Racks	Access Control Panel	A.C. System Power	1	15 AMP	Phone Board	Rough-in to 1 Gang Box (Upper)			
	West Wall Adj. to Racks	XFMR1	Shade Transformer	7	15 AMP	E.P.	Rough-in to 4" Square J-Box @ +96" AFF	Locate Adjacent to Phone Board		
	West Wall Adj. to Racks	XFMR2	Shade Transformer	7	15 AMP	XFMR1	Rough-in to 4" Square J-Box @ +96" AFF	Locate Adjacent to Phone Board		
	West Wall Adj. to Racks	XFMR3	Shade Transformer	7	15 AMP	XFMR2	Rough-in to 4" Square J-Box @ +96" AFF	Locate Adjacent to Phone Board		
	West Wall @ Racks	A/V Equipment	Dedicated A/V Power	2	20 AMP	E.P.	1 Gang	Coordinate w/ SV for Exact Placement		
	West Wall @ Racks	A/V Equipment	Dedicated A/V Power	8	20 AMP	E.P.	1 Gang	Coordinate w/ SV for Exact Placement		
	West Wall @ Racks	A/V Equipment	Dedicated A/V Power	19	20 AMP	E.P.	Relay Triggered Quad receptacle by SV	Coordinate w/ SV for Exact Placement		
	West Wall @ Racks	LV Screen Interface	Projection Screen Power	18	15 AMP	E.P.	Rough-in to 4 Gang, 3-1/2" Deep Box	Coordinate w/ SV for Exact Placement		
	Garage 113									
	Ceiling @ Door Opener	HR-VCRX-SW	Garage Door Controller	9	15 AMP	E.P.	Duplex Receptacle (Door Opener)			
	West Wall	WPM1	Wallbox Power Module	10	20 AMP	E.P.	Rough-in to 4 Gang, 3-1/2" Deep Box			
	Access Corridor 114									
	Projector Niche Above Ceiling	Video Projector	Dedicated A/V Power	2	20 AMP	In-Wall Extension	See EL3.1 for Detail			
	Projector Niche Above Ceiling	Fan Speed Control	Exhaust Fan Control	2a	Nominal	Study West Cab.	1 Gang Rotary Speed Control	See EL3.1 for Detail		
	South Corridor Ceiling	Exhaust Fan	Exhaust Fan Control	2a	Nominal	Speed Control	Fan J-Box	See EL3.1 for Detail		
	Exterior Entry									
	TBD	MS1	Motion Sensor	11	Nominal	E.P.	Rough-in to 4" Round Outdoor J-Box	Non-Dedicated Power		
	Exterior Study									
	TBD	MS2	Motion Sensor	11	Nominal	E.P.	Rough-in to 4" Round Outdoor J-Box	Non-Dedicated Power		
	Main Floor Plan									
	North Terrace 203									
	TBD	MS4	Motion Sensor	11	Nominal	E.P.	Rough-in to 4" Round Outdoor J-Box	Non-Dedicated Power		
	Butler's Pantry 205									
	West Wall	WPM4	Wallbox Power Module	13	20 AMP	E.P.	Rough-in to 4 Gang, 3-1/2" Deep Box			
	West Wall	WPM5	Wallbox Power Module	14	20 AMP	E.P.	Rough-in to 4 Gang, 3-1/2" Deep Box			
	West Wall	PB5.1	Power Booster	15	20 AMP	E.P.	Rough-in to 2 Gang, 3-1/2" Deep Box	See Detail 2, EL1.0 for wiring		
	West Wall	WPM8	Wallbox Power Module	20	20 AMP	E.P.	Rough-in to 4 Gang, 3-1/2" Deep Box			
	Family Room 206									
	West Wall - Above Fireplace	Plasma TV	Dedicated A/V Power	8	20 AMP	In-Wall Extension	Recessed Clock Outlet	Locate Romex Above Mantel Height		
	West Wall - Left of Fireplace	DVD Player	Dedicated A/V Power	8	20 AMP	In-Wall Extension	Duplex Receptacle	Inside Cabinet - Duplex shared w/ Sub		
	West Wall - Left of Fireplace	Subwoofer	Dedicated A/V Power	8	20 AMP	In-Wall Extension	Duplex Receptacle	Inside Cabinet - Duplex shared w/ DVD		
	AV Closet 207									
	East Wall	WPM3	Wallbox Power Module	12	20 AMP	E.P.	Rough-in to 4 Gang, 3-1/2" Deep Box	Below E.P.		
	South Terrace 208									
	TBD	MS3	Motion Sensor	11	Nominal	E.P.	Rough-in to 4" Round Outdoor J-Box	Non-Dedicated Power		
	Upper Floor Plan									
	Master Dressing 305									
	West Wall, North End - Niche	WPM6	Wallbox Power Module	16	20 AMP	E.P.	Rough-in to 4 Gang, 3-1/2" Deep Box			
	West Wall, North End - Niche	WPM7	Wallbox Power Module	17	20 AMP	E.P.	Rough-in to 4 Gang, 3-1/2" Deep Box			
	West Wall, North End - Niche	CV12-2	Shade Transformer	7	15 AMP	XFMR 1-3	Wire to Receptacle in Bottom	Circuit can be shared w/ XFMR 1-3		



Audio/Video Systems
 Sample Residence
 27 Commercial Blvd., Suite M
 Novato, CA 94949

No.	Revision/ Issue	Date

Scale: As Noted
 Modified: 11/5/2007
 Printed: 11/5/2007

EL3.1

Power Requirements